

# Ø172 K series

x51mm



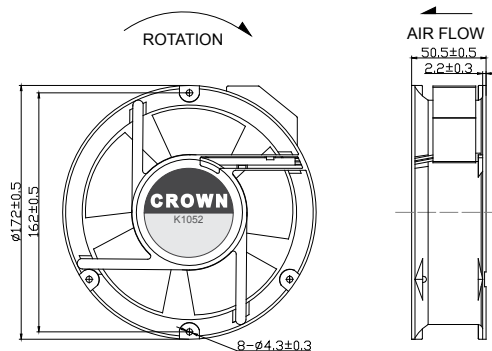
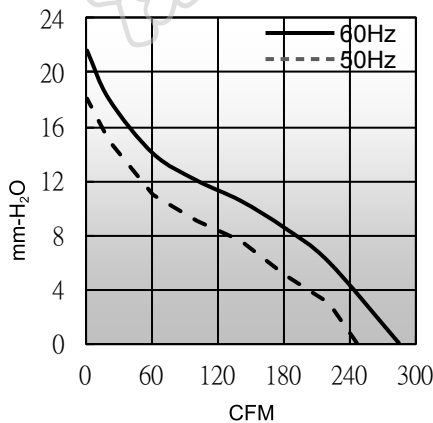
## General Specifications

- Motor : Singal phase induction capacitor motor
- Frame & Impller : Al Die-casting & PBT plastic
- Storage temperature : -40°C to +75°C
- Operating temperature : -10°C to +70°C

## Major Characteristic Parameters

| Model    | Bearing System | Rated Voltage | Freq. | Power Input | Rated Speed | Maximum Air Flow    | Maximum Static Pressure | Sound Level         | Weight              |       |      |
|----------|----------------|---------------|-------|-------------|-------------|---------------------|-------------------------|---------------------|---------------------|-------|------|
| Part NO. | B / S          | V             | Hz    | W           | RPM         | m <sup>3</sup> /min | CFM                     | mm-H <sub>2</sub> O | In-H <sub>2</sub> O | dBA   | Kg   |
| K1052B11 | B / S          | 110           | 50/60 | 35/32       | 2800/3200   | 6.51/7.93           | 230/284                 | 18.0/21.6           | 0.71/0.85           | 50/52 | 1.15 |
| K1052B21 | B / S          | 230           | 50/60 | 35/32       | 2800/3200   | 6.51/7.93           | 230/284                 | 18.0/21.6           | 0.71/0.85           | 50/52 | 1.15 |

\*Bearing system B: Two Ball Bearing F: Fluid Bearing S: Sleeve Bearing



unit:mm